

# **S6510-44**

**10" Dual 4Ω Square Subwoofer**

## **Parameters**

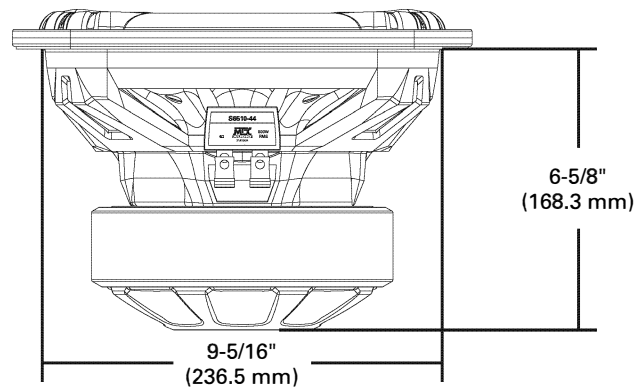
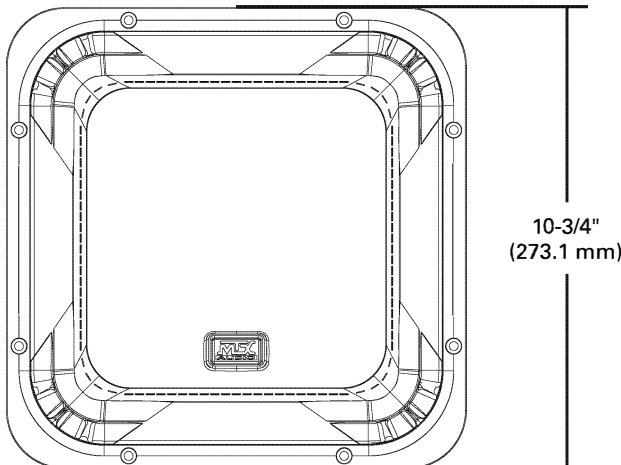
*Los parámetros, Paramètres, Parameter*

Fs: 34 Hz  
Qms: 4.755  
Cms: 0.099 mm/N  
Mms: 219.7 g  
Rms: 9.9 kg/s  
Vas: 1.157 ft<sup>3</sup> (32.77 liters)  
Xmax: 0.61 in (15.49 mm)  
D: 8.66 in (220 mm)  
Sd: 75.02 in<sup>2</sup> (484 cm<sup>2</sup>)  
Vd: 45.65 in<sup>3</sup> (0.748 liters)  
Qes: 0.812  
Re: 1.73 Ω  
Bl: 10 Tm  
Prms: 500 Watts  
Qts: 0.694  
n<sub>0</sub>: 0.153%  
SPL<sub>0</sub>: 84.5 dB  
SPL 2.83V/1m: 90.97 dB



## **Specifications**

*Las especificaciones, Specifications, Spezifikationen*



**Recommended Power Rating of 250 - 500 Watts RMS**

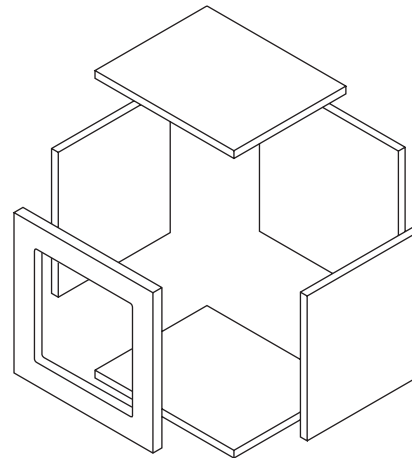
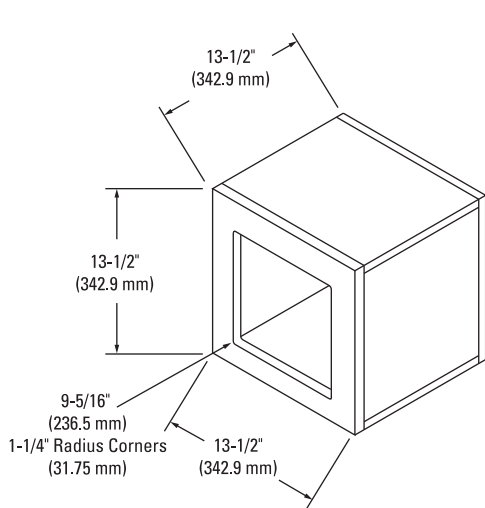
*La Potencia nominal recomendada, Le Pouvoir recommandé Evaluant, Empfohlene Kraft Einzuschätze*

# ***S6510-44 Recommended Enclosures***

For the best possible sound quality where space is a premium, MTX recommends using a sealed enclosure. For excellent sound quality with increased output compared to sealed enclosures (3dB or more), MTX recommends using a vented enclosure. All recommended enclosures have been designed and thoroughly tested by MTX. For additional enclosure designs check the MTX website.

## ***Sealed Enclosure***

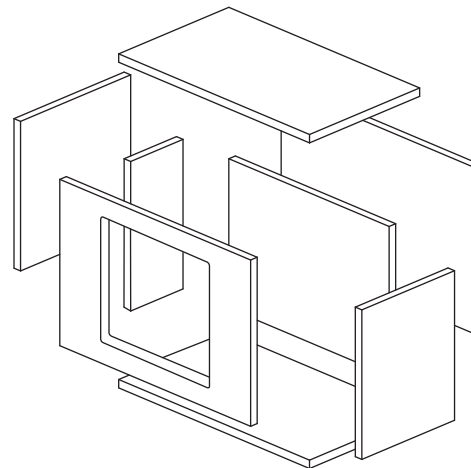
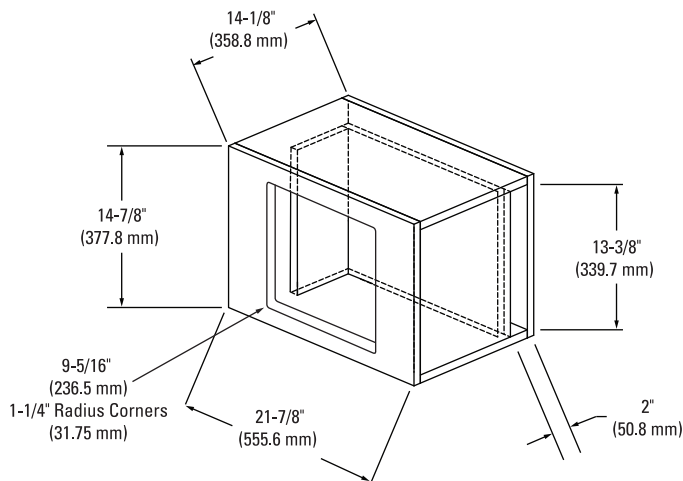
***El Cerco sellado, Cloture scellée, Abgedichtete Einschließung***



Net Internal Volume: 1.00 ft<sup>3</sup>

## ***Vented Enclosure***

***Descargar Cerco, Cloture donnere vent, Vented Einschließung***



Net Internal Volume: 2.00 ft<sup>3</sup>  
Port Length: 24"